

Company

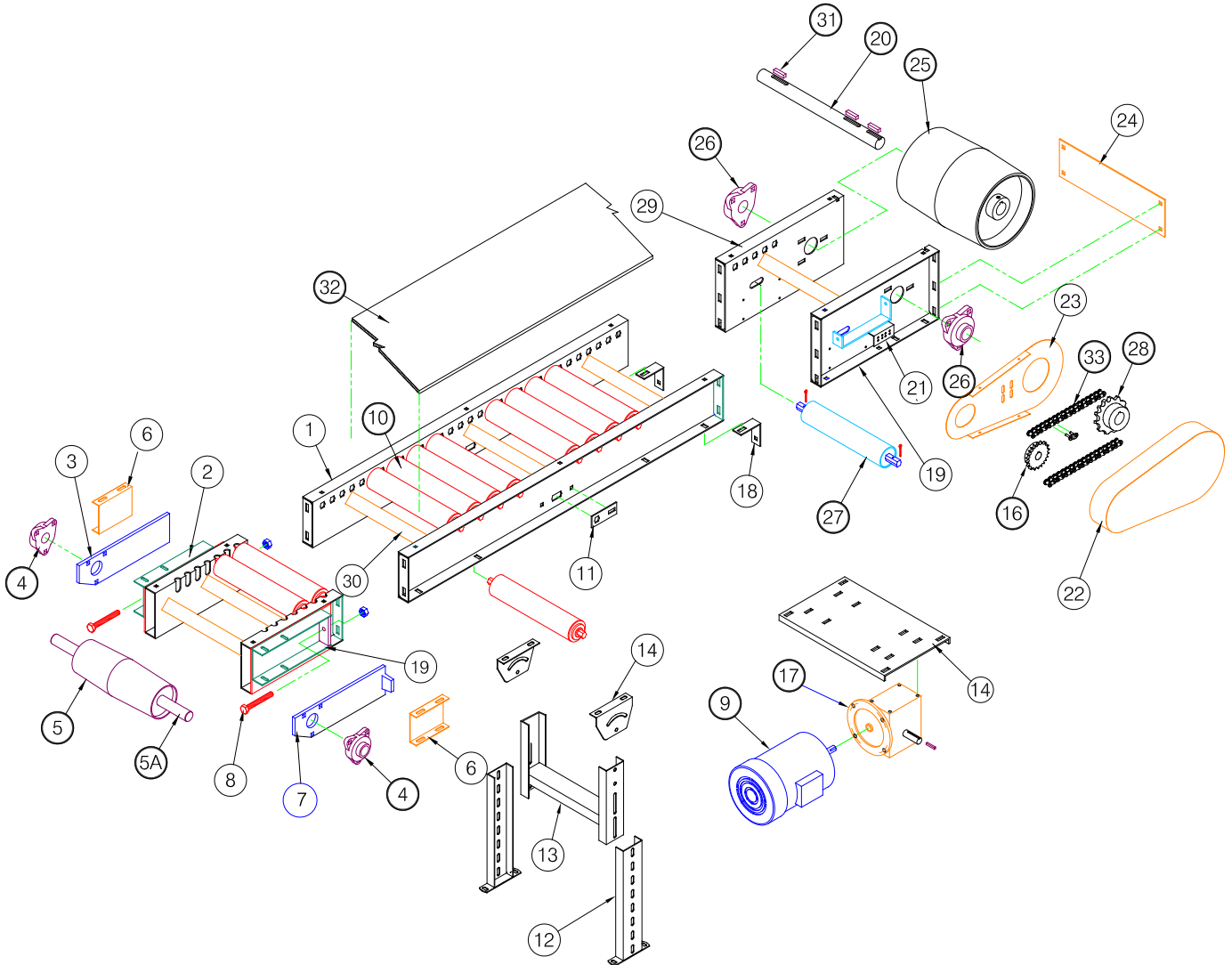
Phone

Contact

Conveyor
Serial Number

E-mail

To Request a Quote for Spare Parts - Fill in the Information below & Quantity of each Part & Click on the Email Button



• Recommended spare parts to be stocked at your location

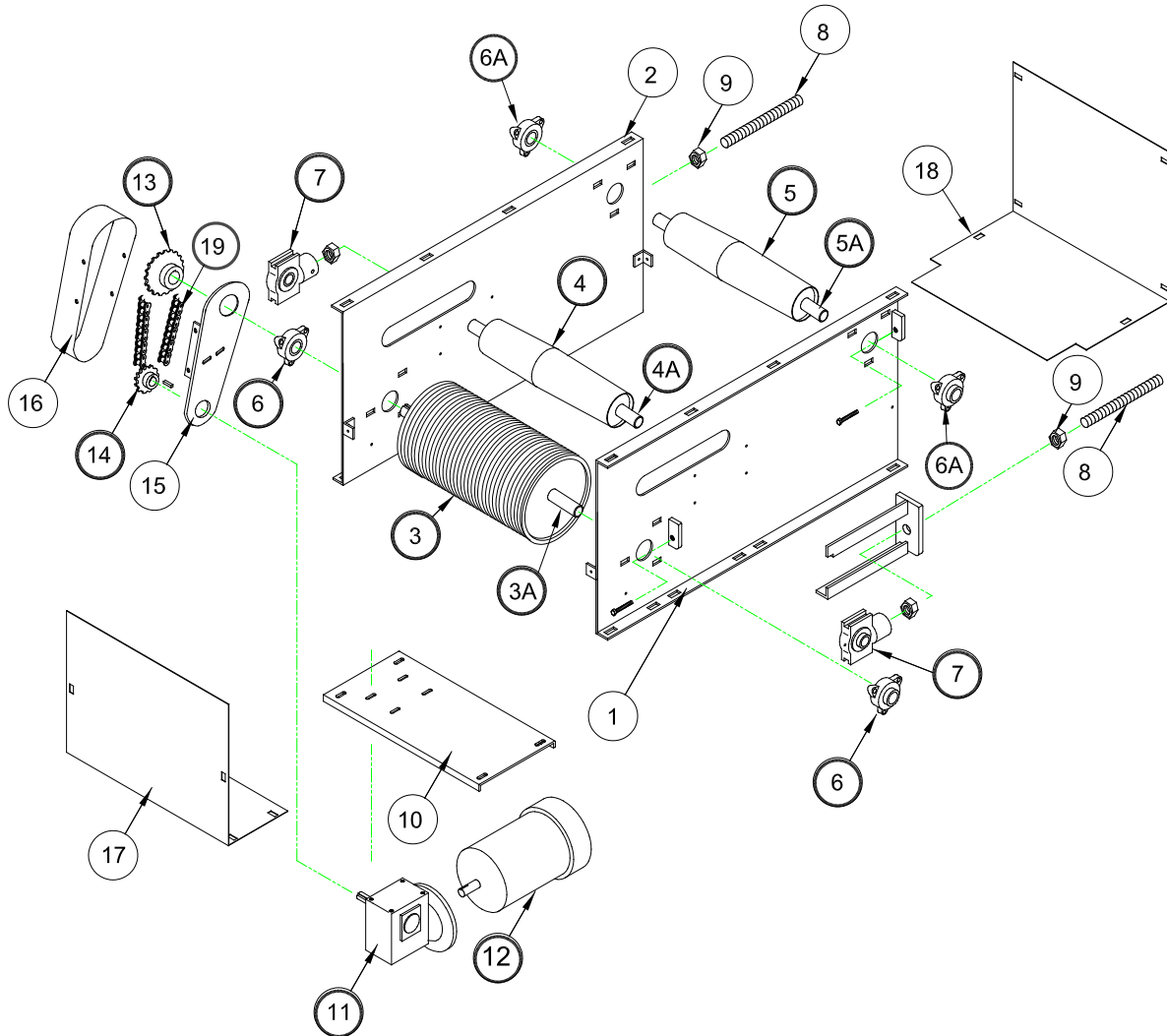
Part Number - Description - Qty.

- 4. • 3 BOLT FLANGE BRG.(SMALL)
- 5. • TAIL PULLEY
- 5A. • TAIL PULLEY SHAFT
- 9. • MOTOR
- 10. • DECK/RETURN ROLLER
- 16. • DRIVE SPROCKET
- 17. • REDUCER
- 20. • DRIVE SHAFT
- 25. • DRIVE PULLEY
- 26. • 3 BOLT FLANGE BRG.(LARGE)
- 27. • SNUB ROLLER
- 28. • DRIVEN SPROCKET
- 31. • KEY
- 32. • BELT
- 33. • ROLLER CHAIN

Other Parts

- 1. INTERMEDIATE FRAME
- 2. INFEED FRAME
- 3. TAKE UP BAR L/H
- 6. RETAINER CHANNEL
- 7. TAKE UP BAR R/H
- 8. TAKE UP BOLT
- 11. RETURN ROLLER BRACKET
- 12. LOWER SUPPORT
- 13. UPPER SUPPORT
- 14. SMILE BRACKET
- 15. MOTOR BASE
- 18. HEAD SECTION SPLICE ANGLE
- 19. INFEED FRAME R/H
- 21. HEAD PLATE R/H (WELDMENT)
- 22. GUARD FRONT
- 23. GUARD BACK
- 24. DRIVE SPREADER
- 24. DRIVE SPREADER
- 29. HEAD PLATE L/H (WELDMENT)
- 30. ANGLE FRAME SPREADER

To Request a Quote for Spare Parts - Fill in the Information below & Quantity of each Part & Click on the Email Button



• Recommended spare parts to be stocked at your location

Part Number - Description - Qty.

- 3. • DRIVE PULLEY
- 3A. • DRIVE PULLEY SHAFT
- 4. • TAKE-UP PULLEY
- 4A. • TAKE-UP PULLEY SHAFT
- 5. • SNUB PULLEY
- 5A. • SNUB PULLEY SHAFT
- 6. • 1 7/16" DRIVE BRG. 3 BOLT FLANGE
- 6A. • 1 3/16" BRG. 3 BOLT FLANGE
- 7. • TAKE-UP BRG. T-SLOT
- 11. • REDUCER
- 12. • MOTOR
- 13. • DRIVEN SPROCKET
- 14. • DRIVE SPROCKET
- 19. • ROLLER CHAIN

Other Parts

- 1. CTR. DR. AND TAKE-UP PLATE R/H
- 2. CTR. DR. AND TAKE-UP PLATE L/H
- 8. THREADED TAKE-UP ROD
- 9. TAKE-UP NUT
- 10. MOTOR BASE
- 15. GUARD BACK
- 16. DRIVE GUARD
- 17. CTR. DR. AND T.U. GUARD (SMALL)
- 18. CTR. DR. AND T.U. GUARD (LARGE)