



Replacement Parts RFQ for Model 413-419-425 Gravity Roller Conveyor

Company

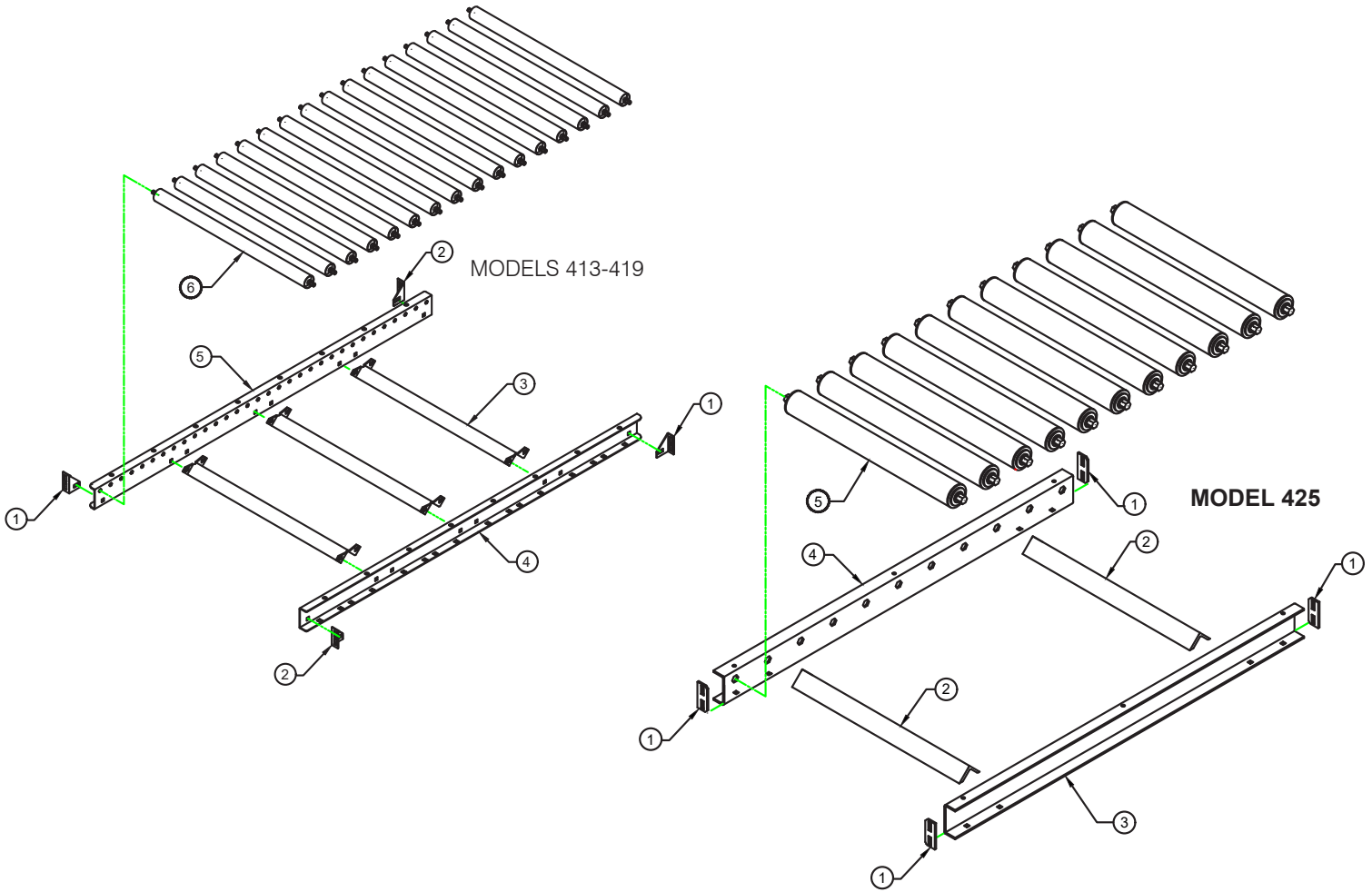
Phone

Contact

Conveyor
Serial Number

E-mail

To Request a Quote for Spare Parts - Fill in the Information below & Quantity of each Part & Click on the Email Button



• Recommended spare parts to be stocked at your location

Part
Number - Description - Qty.

MODEL 413

6. • ROLLER ASSEMBLY 1-3/8" DIA.

MODEL 419

6. • ROLLER ASSEMBLY 1.9" DIA.

MODEL 425

5. • ROLLER ASSEMBLY 2-1/2" DIA.

Other Parts MODEL 413 & 419

1. CONNECTING BRACKET L/H
2. CONNECTING BRACKET R/H
3. FRAME SPREADER
4. GRAVITY FRAME R/H
5. GRAVITY FRAME L/H
6. ROLLER ASSEMBLY

Other Parts MODEL 425

1. CONNECTING BRACKET
2. FRAME SPREADER
3. GRAVITY FRAME R/H
4. GRAVITY FRAME L/H
5. ROLLER ASSEMBLY