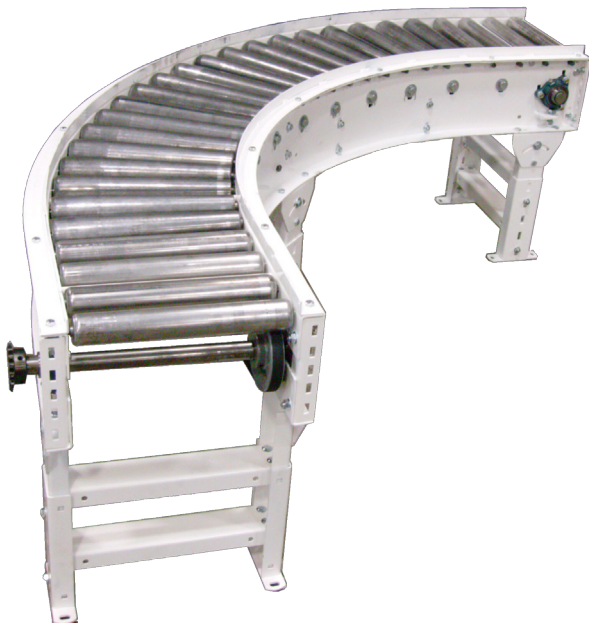


MODEL 490

V-BELT DRIVEN LIVE ROLLER CURVE CONVEYOR



When your conveyor system requires an economical 90° curve, you should specify the Titan **Model 490 V-Belt Driven Live Roller Curve**. The Model 490 utilizes a rugged, industrial continuous v-belt to transmit power to the drive rollers. Straight 1.9" diameter x 16 gauge rollers are furnished as standard. A formed 12 gauge frame that is compatible with other Titan units give you that additional flexibility needed to customize your material handling system. The drive base is fabricated from uni-strut which allows proper and positive belt tensioning. The Model 490 is available in numerous between frame widths. Tapered rollers are also available.

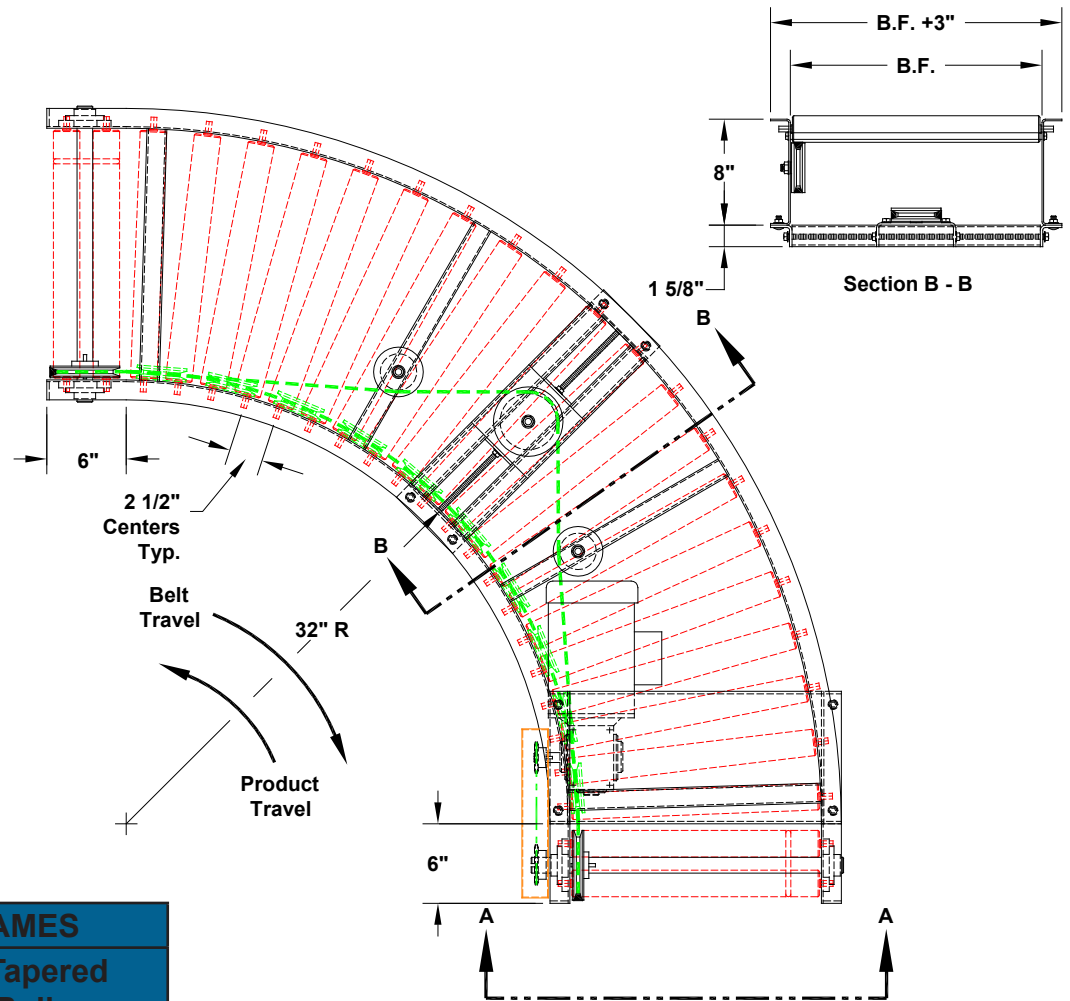


MODEL 490 V-BELT DRIVEN LIVE ROLLER CURVE CONVEYOR		
	Standard	Options
Between Frame	9", 13", 16", 19", 22", 25", 28", 31", 34", 37", 40"	Tapered rollers 13", 16", 22", 28", 34", 40"
Curves	90° standard, (30°, 45° Opt.)	
Rollers	1.9 dia. x 16 ga., 2-1/2" centers on inside radius	Tapered rollers-1.9 dia. x 14 ga.
Drive	1/2 H.P. 230/460/3/60	3/4, 1, 1-1/2, 2 HP , TEFC, severe duty, inverter duty, brake motor
Frame	Formed 12 ga.	
OPTIONAL		
Roller sizes, siderails, caster, transfer rollers, galvanized, coated, tapered rollers, stainless or galvanized construction, motors, speeds, variable speed, drive location, casters, controls, paint, supports		

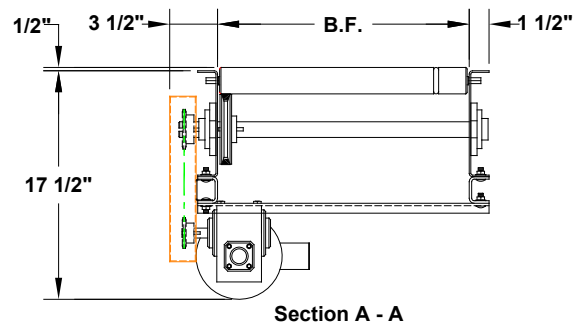
NOTE: Specifications subject to change without notice

MODEL 490

V-BELT DRIVEN LIVE ROLLER



BETWEEN FRAMES	
Straight Rollers	Tapered Rollers
9"	13"
13"	16"
16"	22"
19"	28"
22"	34"
25"	40"
28"	-
31"	-
34"	-
37"	-
40"	-



NOTE: All rollers on 2 1/2" centers on inside rail.
Outside centers vary with between frame widths.



735 Industrial Loop Road • New London, WI 54961-9612
920-982-6600 • Fax 920-982-7750 • Toll Free 800-558-3616
Website: www.titanconveyors.com • Email: sales@titanconveyors.com

