

**TITAN**<sup>TM</sup>  
**CONVEYORS**

**Industrial Conveyor Specialists**

# Chain Driven Live Roller Conveyors



***Proven Reliability  
Low Maintenance  
Quick Delivery***

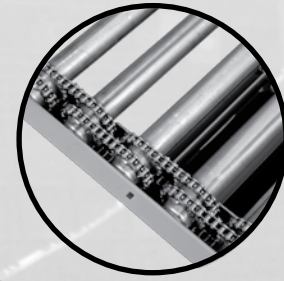
**The TITAN Experience -  
*Expect More***

Phone: 800-558-3616

Website: [www.titanconveyors.com](http://www.titanconveyors.com)

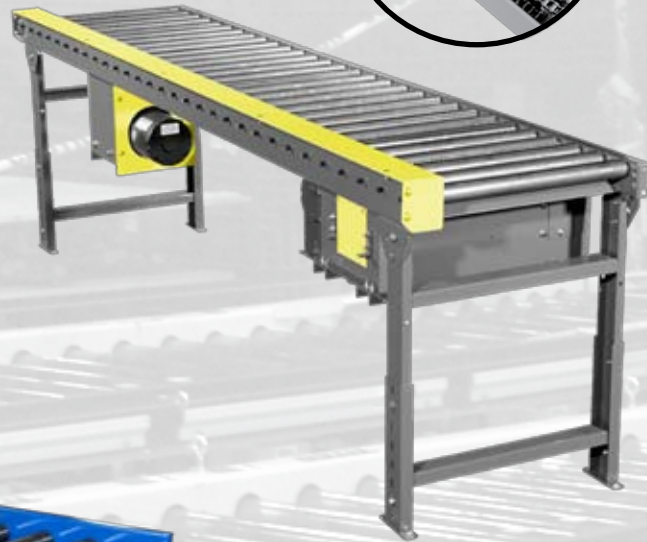
# Chain Driven Live Roller Conveyors

Chain Driven Live Roller (CDLR) conveyors feature sprocketed rollers and roll to roll chain system that provide positive driving power to the product.



## Model 519

Model 519 conveyor is a light duty CDLR ideal for tote pans, castings, drums or light pallet loads. Chain Transfers are available



## Model 525

Titan medium duty chain driven live roller conveyor is ideal for pallets, skids and drums. Chain transfers are available.



"Iron Cross"-Lift & Turn



CDLR with special roller covers



Special CDLR with worktable



Pallet Lift in CDLR

### CHAIN DRIVEN LIVE ROLLER CONVEYOR SPECIFICATIONS

#### STANDARD

	Model 519	Model 525	Model 526	Model 535	Model 595
Effective Widths	Up to 40"	15" to 72"	15" to 72"	15" to 66"	15" to 72"
Drive	1/2 H.P. 230/460/3/60	3/4 H.P. 230/460/3/60	3/4 H.P. 230/460/3/60	3/4 H.P. 230/460/3/60	3/4 H.P. 230/460/3/60
Roller Speed	60 f.p.m.	30 f.p.m.	30 f.p.m.	30 f.p.m.	30 f.p.m.
Roller Size	1.9" dia. x 16 ga. with 7/16" hex shaft	2 1/2" dia. x 11 ga. with 11/16" hex shaft	2 5/8" dia. x 7 ga. with 11/16" hex shaft	3 1/2" dia. x .300 wall on 6" centers (#2500 roll rating)	2 1/2" dia. (small end) tapered, 11 ga.
Chain Drive	#50	#50	#50	#60	#50
Supports	Adjustable "H" type	Structural channel	Structural channel	Structural channel	Structural Channel

#### OPTIONS

Roller Space - Consult factory, Roller Center - Consult Factory, 2 or 3 strand chain transfers, "C" Face brake and Fixed end stop, Drive locations: as needed, H.P., Rollers set low, UHMW sleeves, Knee braces, Air operated blade stop, Supports - 6" @ #8.2 structural channel, Chain - #80 with roller on 6 7/16" centers (Model 535), Pop-up transfers & stops, Galvanized & Stainless, Pallet jacks, Special paint

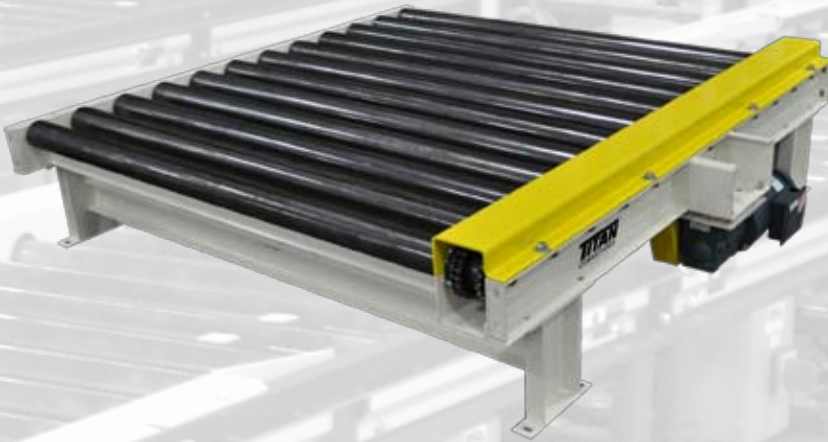
## Model 526

Titan medium-heavy duty chain driven live roller conveyor is ideal for pallets, skids and drums. With a thicker walled roller than the Model 525, the Model 526 will handle loads 2 times heavier than the Model 525. Chain transfers are available



## Model 535

Titan heavy duty chain driven live roller conveyor is ideal for pallets, skids and drums. Chain transfers are available.



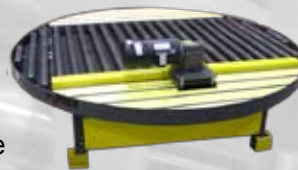
## Model 595

Titan heavy duty chain driven live roller curve conveyor is ideal for pallets, skids and drums. Modular design fit system applications



## Special Applications

Any CDLR can be specially mounted on a turntable to shift product to another line, they can also be combined with other Titan conveyor models.

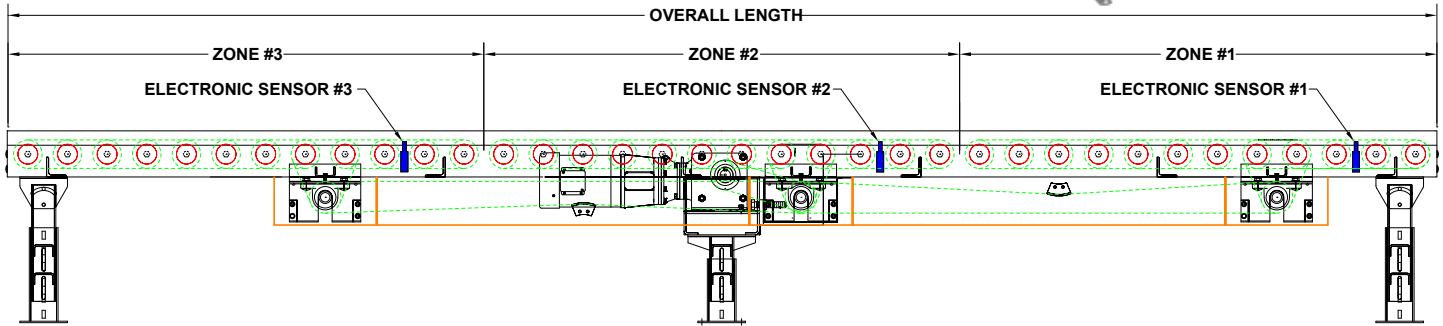


CDLR mounted on indexing turntable.



## Model ZPA

**Titan Zero Pressure Accumulator** is designed to accumulate heavy products, containers into zones. Titan uses photo electric sensors eliminating many of the problems associated with ZPA's.



### How the Conveyor Works

A Chain Driven Live Roller Conveyor is set up with individually controlled “zones” by installing electronic sensors at equal intervals along the conveyor. Power to individual zones comes from a main chain drive that runs the length of the conveyor. Each zone is driven off the main drive and activated or deactivated with an air operated clutch controlled by an electronic sensor.

In normal operation, the discharge zone (zone #1) is electronically activated by an electrical solenoid (provided by Titan). When a load is placed on the conveyor, at the infeed, it travels the length of the conveyor to the discharge. At the discharge the load activates the electronic sensor which activates the air clutch and stops the load. At the same time, this disengages the clutch and moves a load into zone #2 to accumulate the next load placed on the conveyor.

When the conveyor is to be unloaded, an external signal (NOT provided by Titan) is sent to the solenoid switch which engages the clutch in zone #1. This activates the zone rollers and moves the load toward the discharge. Once the load clears the electronic sensor, the second load moves forward from zone #2 to zone #1 and all other loads advance forward one zone.

## Pop-Up Transfers & Stops

**Titan Pop-Up transfers & stops** are designed for integration into Titan roller conveyor systems.



**AUTHORIZED DISTRIBUTOR**

