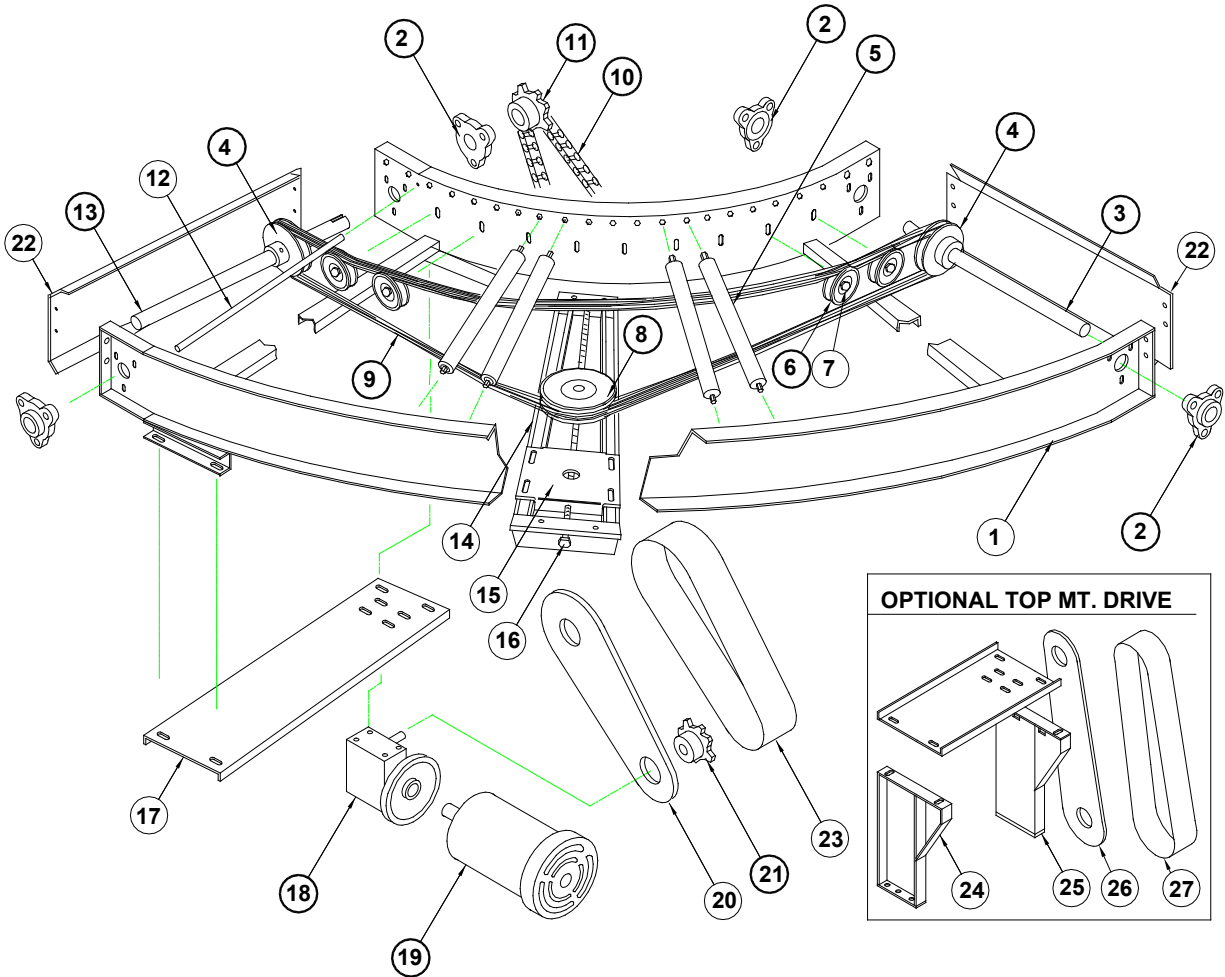


Company
Contact
E-mail

Phone
Conveyor
Serial Number

To Request a Quote for Spare Parts - Fill in the Information below & Quantity of each Part & Click on the Email Button



• Recommended spare parts to be stocked at your location

| Part Number - Description | Qty. |
|-----------------------------|------|
| 2. • 3-BOLT BEARING | |
| 3. • INFEEED SHAFT | |
| 4. • END SHEAVE | |
| 5. • DECK ROLLER | |
| 6. • PRESSURE SHEAVE | |
| 8. • TAKE-UP SHEAVE | |
| 9. • V-BELT | |
| 10. • ROLLER CHAIN | |
| 11. • DRIVEN SPROCKET | |
| 13. • DRIVE SHAFT | |
| 18. • REDUCER | |
| 19. • MOTOR | |
| 21. • DRIVE SPROCKET | |
| 1. FRAME WELDMENT | |
| 7. SHEAVE BOLT | |
| 12. TUBE SPREADER | |
| 14. TAKE-UP FRAME | |
| 15. TAKE-UP BRACKET | |
| 16. TAKE-UP SCREW | |
| 17. MOTOR BASE | |
| 20. DRIVE GUARD BACK | |
| 22. END GUARD | |
| 23. DRIVE GUARD | |
| 24. TOP MT. DRIVE PLATE L/H | |
| 25. TOP MT. DRIVE PLATE R/H | |
| 26. TOP MT. GUARD BACK | |
| 27. TOP MT. GUARD | |