

Company

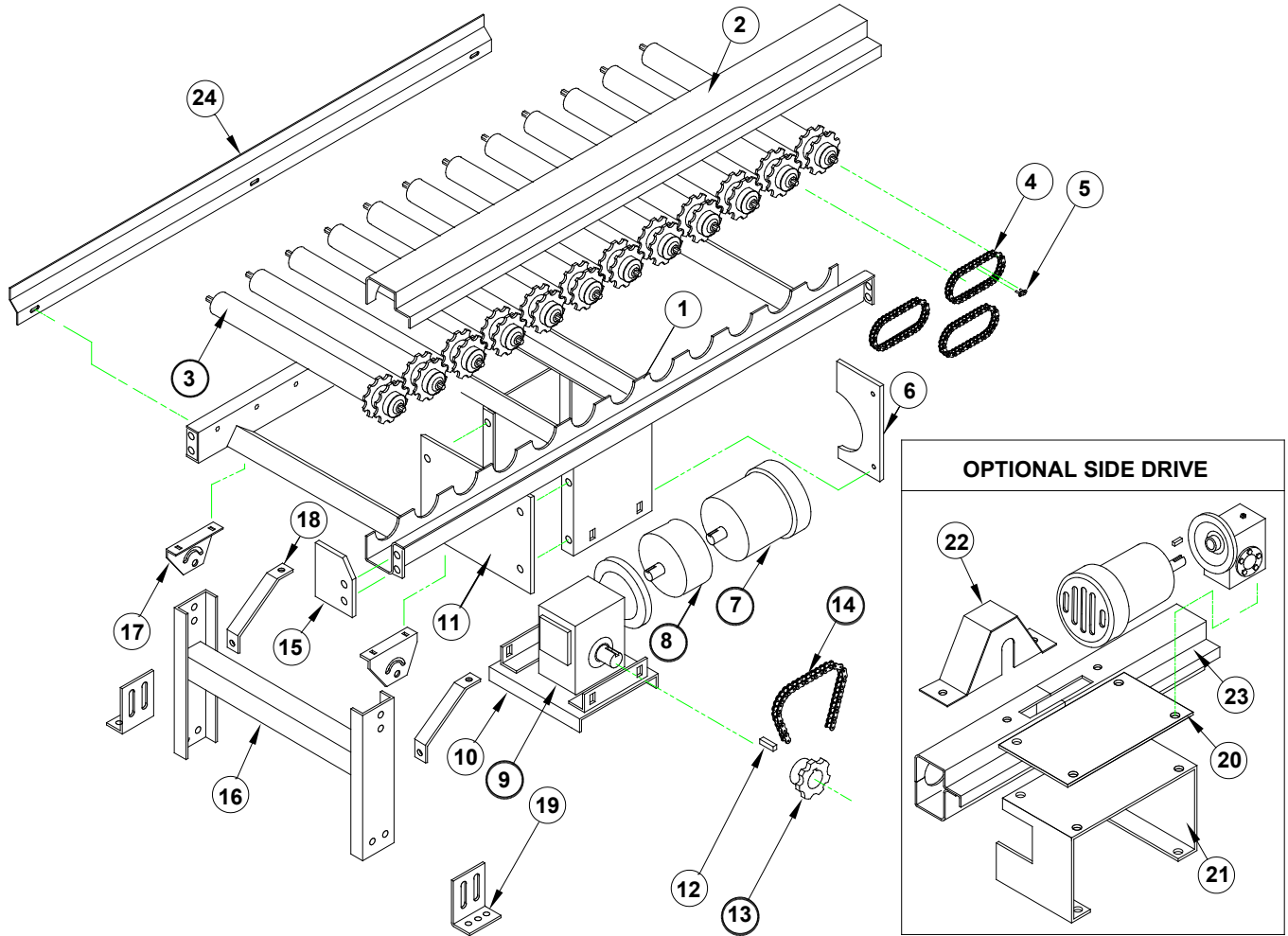
Phone

Contact

Conveyor  
Serial Number

E-mail

To Request a Quote for Spare Parts - Fill in the Information below & Quantity of each Part & Click on the Email Button



• Recommended spare parts to be stocked at your location

Part  
Number - Description

-

Qty.

- 3. • ROLLER ASSEMBLY
- 7. • MOTOR
- 8. • SOFT START (OPT)
- 9. • REDUCER
- 13. • DRIVE SPROCKET
- 14. • ROLLER CHAIN

Other Parts

- 1. FRAME WELDMENT
- 2. CHAIN GUARD
- 4. CHAIN LOOP
- 5. CONNECTOR LINK
- 6. MOTOR GUARD
- 10. MOTOR BASE
- 11. DRIVE GUARD
- 12. KEY
- 14. DRIVE CHAIN

- 15. END CAP
- 16. H. D. SUPPORT
- 17. SMILE BRACKET
- 18. KNEE BRACE (OPT)
- 19. SUPPORT FOOT
- 20. SIDE MT. MOTOR BASE
- 21. SIDE MT. MOTORBASE CHANNEL
- 22. SIDE MT. DRIVE GUARD
- 23. CHAIN GUARD (SPLIT)
- 24. Z-STRIP GUARD



# Replacement Parts RFQ for Model 519 Chain Driven Live Roller Pop-up Transfer - Single Direction Conveyor

Company

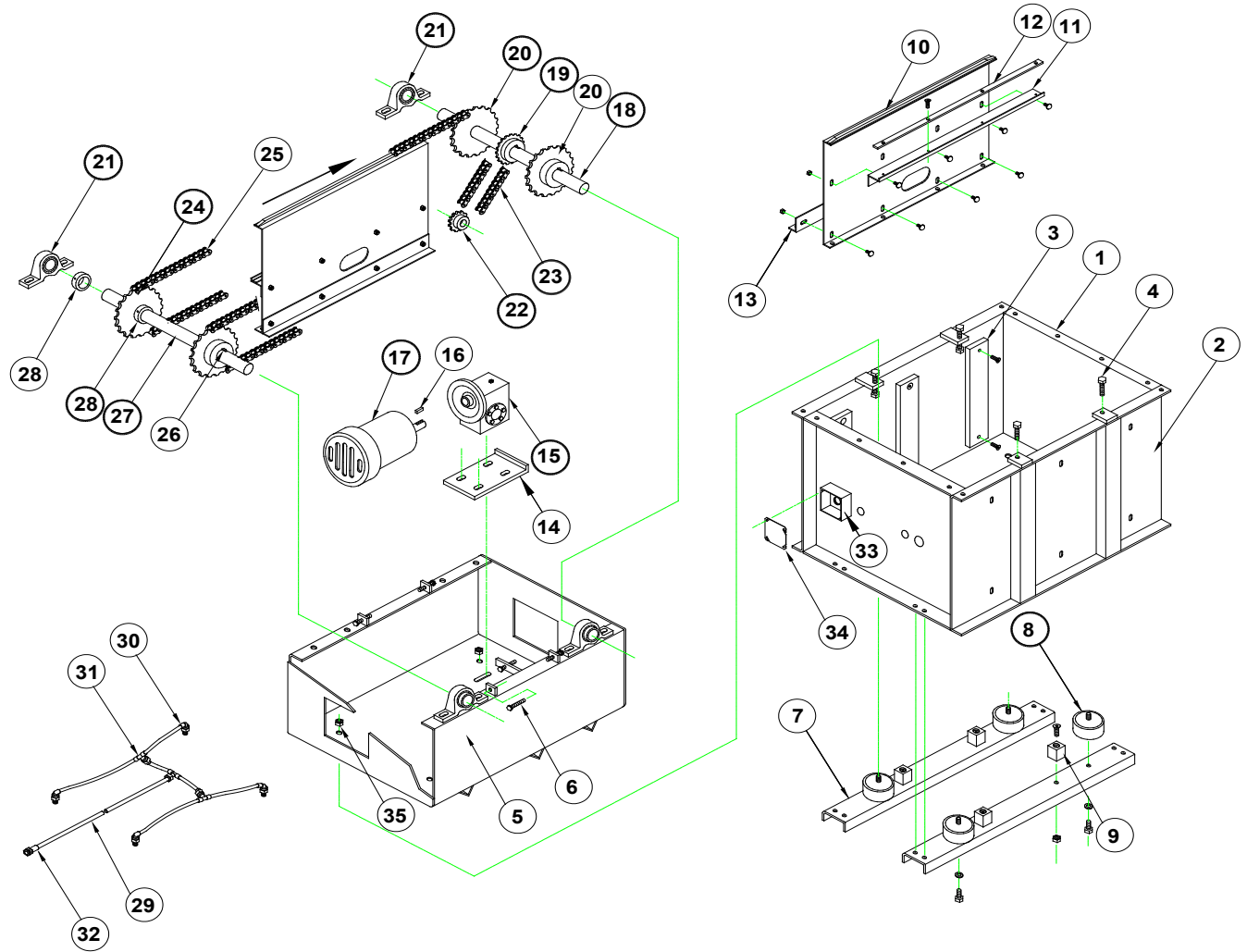
Phone

Contact

Conveyor  
Serial Number

E-mail

To Request a Quote for Spare Parts - Fill in the Information below & Quantity of each Part & Click on the Email Button



• Recommended spare parts to be stocked at your location

**Part**  
Number - Description - Qty.

- 8. • AIR BAG
- 15. • REDUCER
- 17. • MOTOR
- 18. • POP-UP DRIVE SHAFT
- 19. • DRIVEN SPROCKET
- 20. • POP-UP CHAIN SPRK'T. K & S
- 21. • PILLOW BLOCK BEARING
- 22. • DRIVE SPROCKET
- 24. • POP-UP CHAIN SPK'T. IDLER
- 27. • POP-UP TAIL SHAFT
- 28. • IDLER SPK'T. SHAFT COLLAR
- 23. • ROLLER CHAIN

**Other Parts**

- 1. FRAME WELDMENT-SIDE
- 2. FRAME WELDMENT-END
- 3. WEAR PAD-BOX FRAME
- 4. UP STOP BOLT
- 5. POP-UP BOX FRAME
- 6. PUSHER BOLT
- 7. AIR BAG SUPPORT CHANNEL
- 9. BOTTOM STOP
- 10. POP-UP CHAIN TRACK
- 11. CHAIN RETURN TRACK
- 12. WEAR STRIP-RETURN TRACK
- 13. "T" FRAME SUPPORT ANGLE

- 14. DRIVE BASE
- 16. MOTOR KEY
- 25. POP-UP TRANSFER CHAIN
- 26. POP-UP SPROCKET KEY
- 29. AIR LINE
- 30. 90° ELBOW FITTING
- 31. FEMALE "T" FITTING
- 32. BULKHEAD FITTING
- 33. 4 x 4 "J" BOX
- 34. "J" BOX COVER
- 35. NUT-AIR BAG INLET STEM