

Note: Chrome Browser will not email - Download form and attach to an email to: sales@titanconveyors.com

Company

Phone

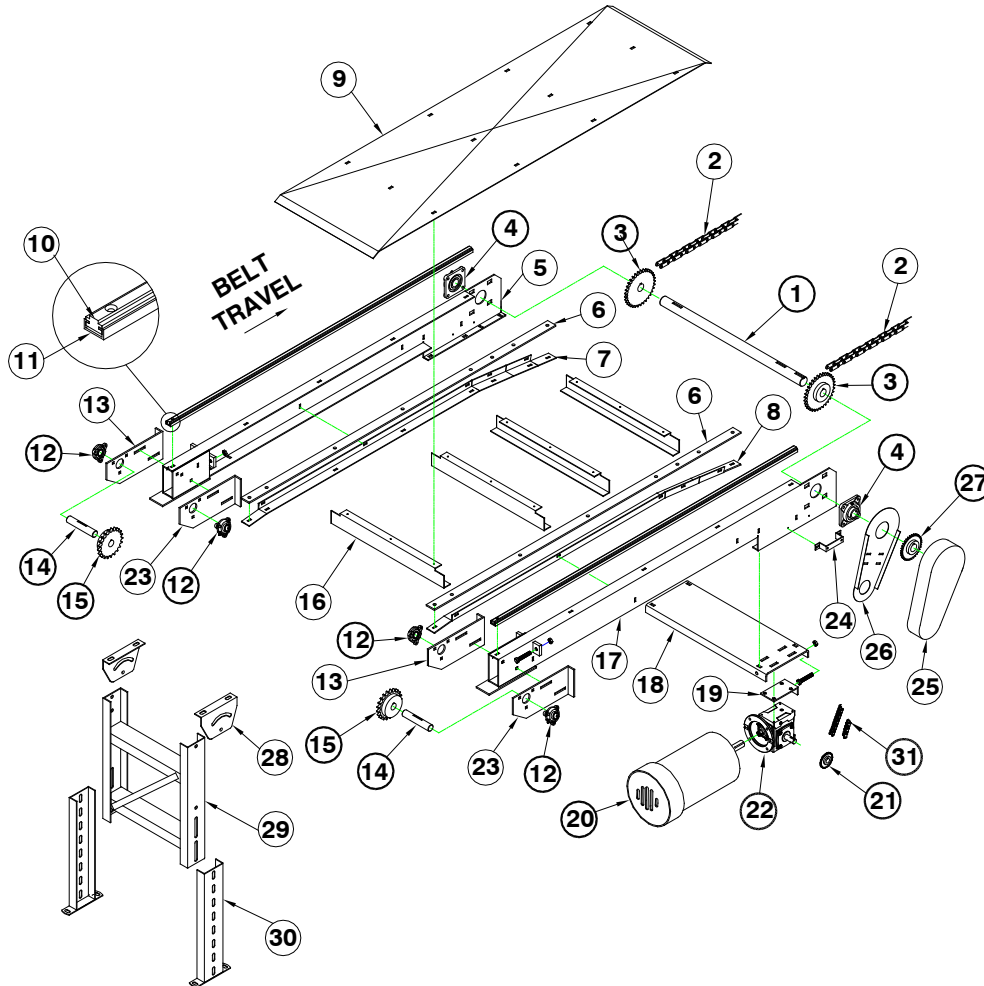
Contact

Conveyor

E-mail

Serial Number

To Request a Quote for Spare Parts - Fill in the Information below & Quantity of each Part & Click on the Email Button



• Recommended spare parts to be stocked at your location

Part
Number - Description - Qty.

- 1. • DRIVE SHAFT
- 3. • CHAIN DRIVE SPROCKET
- 4. • 4 BOLT DRIVE BEARING
- 12. • 3 BOLT INFEEED BEARING
- 14. • INFEEED SHAFT
- 15. • INFEEED SPROCKET
- 20. • MOTOR
- 21. • DRIVE SPROCKET
- 22. • REDUCER
- 27. • DRIVEN SPROCKET
- 31. • ROLLER CHAIN

Other Parts

- 2. CHAIN
- 5. FRAME WELDMENT L/H
- 6. CHAIN RETURN STRIP UHMW
- 7. CHAIN RETURN ANGLE L/H
- 8. CHAIN RETURN ANGLE R/H
- 9. SAFETY GUARD
- 10. CHAIN TRACK UHMW
- 11. CHAIN TRACK CHANNEL
- 13. INFEEED TAKE-UP BRACKET L/H
- 16. FRAME SPREADER
- 17. FRAME WELDMENT R/H
- 18. MOTORBASE
- 19. REDUCER TAKE-UP BRACKET
- 23. INFEEED TAKE-UP BRACKET R/H
- 24. GUARD BACK BRACKET
- 25. GUARD FRONT
- 26. GUARD BACK
- 28. SMILE BRACKET
- 29. UPPER SUPPORT
- 30. LOWER SUPPORT