



Replacement Parts RFQ for Model Line Shaft (LSR) Pop-Up Urethane Belt Transfer Conveyor

Note: Chrome Browser will not email -
Download form and attach to an email
to: sales@titanconveyors.com

Company

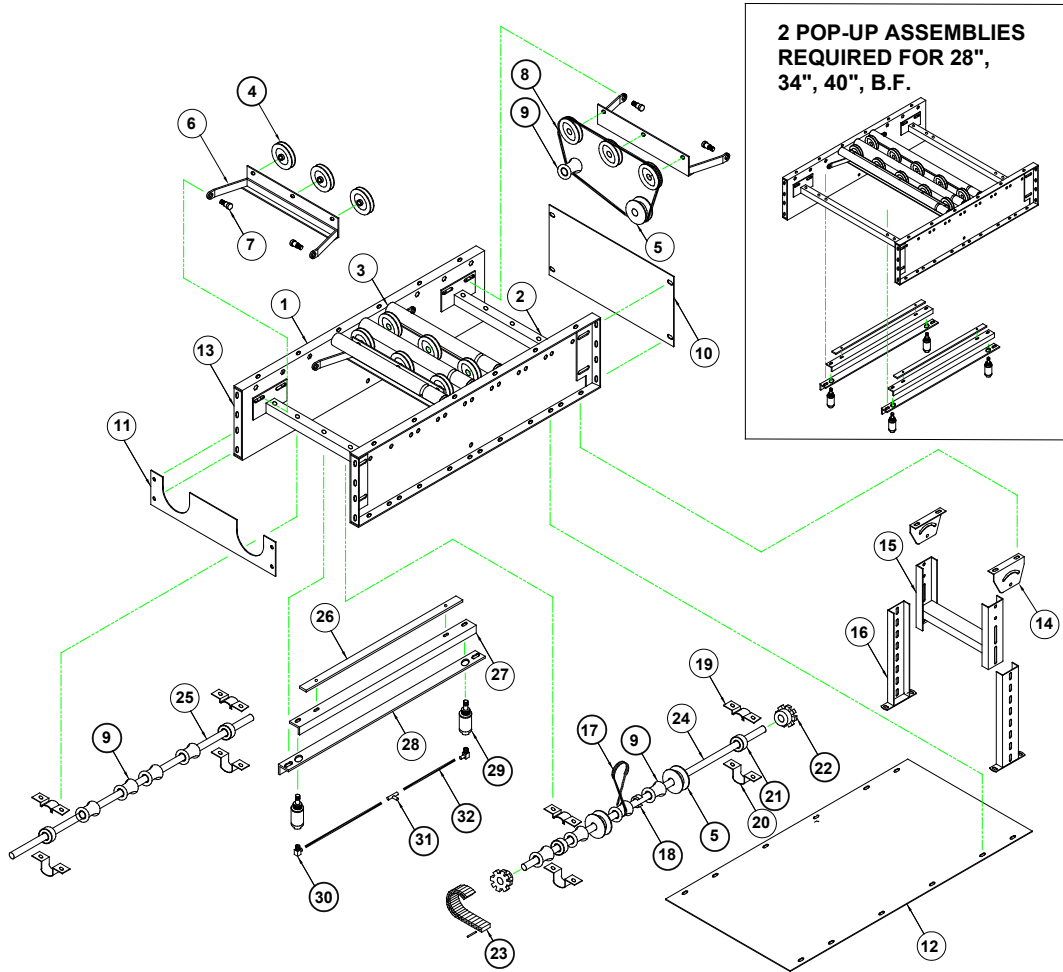
Phone

Contact

Conveyor
Serial Number

E-mail

To Request a Quote for Spare Parts - Fill in the Information below & Quantity of each Part & Click on the Email Button



• Recommended spare parts to be stocked at your location

Part
Number - Description - Qty.

- 4. • IDLER SHEAVE
- 5. • DRIVE SHEAVE
- 8. • URETHANE TRANSFER BELT
- 9. • SPOOL
- 17. • O-BELT
- 18. • C-CLIP
- 21. • BEARING
- 22. • END SPROCKET
- 23. • COUPLING CHAIN
- 29. • AIR CYLINDER
- 30. • AIR FITTING
- 31. • 3-WAY AIR FITTING
- 32. • AIR HOSE

Other Parts

- 1. INTERMEDIATE FRAME
- 2. CROSSMEMBER
- 3. SINGLE GROOVE ROLLER
- 6. TRANSFER SHEAVE WELDMENT
- 7. SHOULDER BOLT
- 10. OPTIONAL FULL GUARD
- 11. HALF GUARD
- 12. BOTTOM PAN
- 13. DEEP FRAME BUTT COUPLING
- 14. SMILE BRACKET
- 15. UPPER SUPPORT
- 16. LOWER SUPPORT
- 19. PRESSED STEEL FOOT
- 20. PRESSED STEEL HOUSING
- 24. LINESHAFT
- 25. IDLER LINESHAFT
- 26. PUSH PAD
- 27. PUSH ANGLE
- 28. AIR CYLINDER MOUNT ANGLE