



Replacement Parts RFQ for Model 519 & 525 - MDR Poly-V Belt Drive Motorized Roller Conveyor

Note: Chrome Browser will not email
- Download form and attach to an
email to: sales@titanconveyors.com

Company

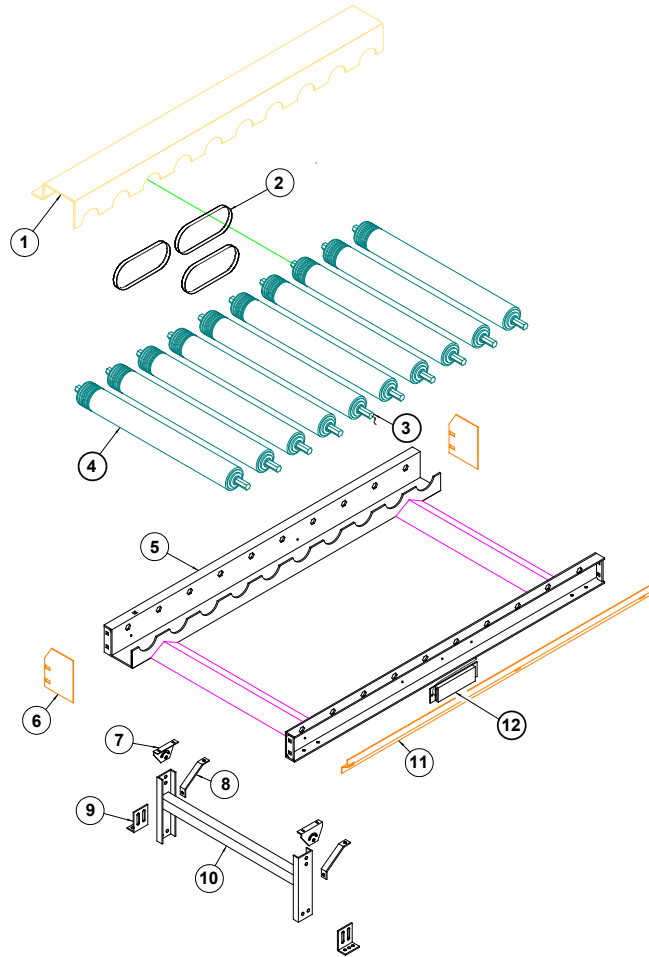
Phone

Contact

Conveyor
Serial Number

E-mail

To Request a Quote for Spare Parts - Fill in the Information below & Quantity of each Part & Click on the Email Button



• Recommended spare parts to be stocked at your location

Part
Number - Description - Qty.

- 2. • POLY BELT
- 3. • MOTORIZED ROLLER ASSEMBLY
- 4. • ROLLER ASSEMBLY
- 12. • CONTROL MODULE

Other Parts

- 1. DRIVE BELT GUARD
- 5. FRAME WELDMENT
- 6. END CAP
- 7. SMILE BRACKET
- 8. KNEE BRACE (OPT.)
- 9. SUPPORT FOOT
- 10. H.D. SUPPORT
- 11. Z - STRIP GUARD