

TITANTM
CONVEYORS

Industrial Conveyor Specialists

Forging Industry Conveyors



The TITAN Experience -
Expect More

Designed for years of
maintenance free
operation in hostile
environments

Proven Reliability
Low Maintenance
Quick Delivery

Phone: 1-800-558-3616

Website: www.titanconveyors.com

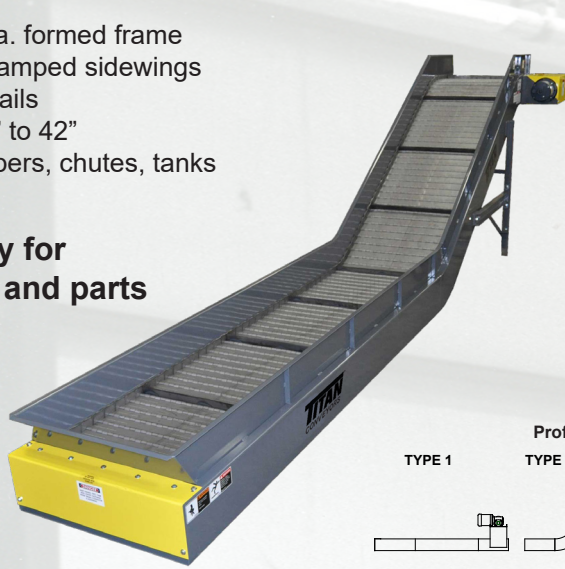
Email: sales@titanconveyors.com

Since 1981

Model 630

- 2 1/2" pitch
- Rugged 10 ga. formed frame
- 1 1/2" high stamped sidewings
- Custom siderails
- Belt widths 4" to 42"
- Optional hoppers, chutes, tanks & more

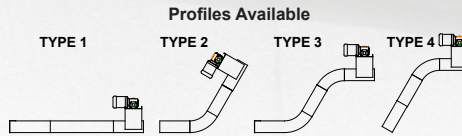
Extreme duty for larger scrap and parts



Model 620

- 2 1/2" pitch
- Exclusive radial sidewings
- Low profile 10 ga. frame
- Custom siderails
- Belt widths 4" to 42"
- Optional hoppers, chutes, tanks & more

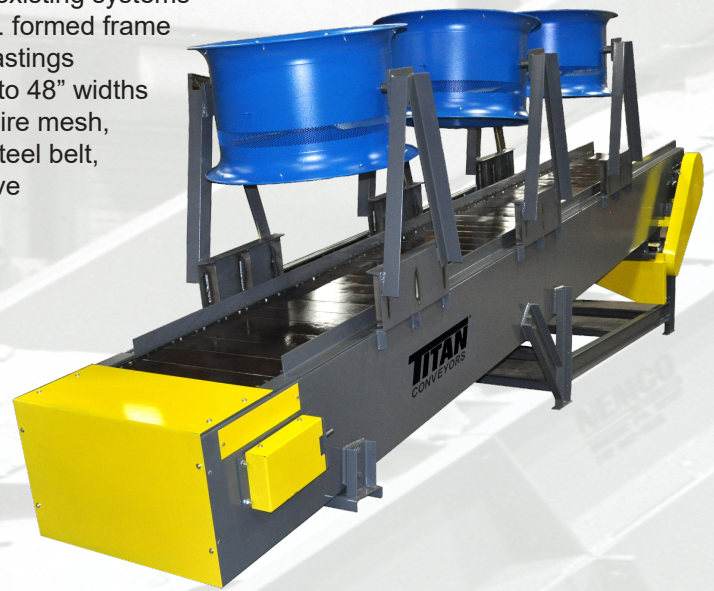
Heavy duty for chips, scrap and parts



Cooling-Drying



- interface with existing systems
- Rugged 10 ga. formed frame
- ideal for hot castings
- Belt widths 4" to 48" widths
- belt options: wire mesh, slats, hinged steel belt, balanced weave



STANDARD SPECIFICATIONS

	MODEL 620 - 2 1/2" pitch HSB	MODEL 630 - 2 1/2" pitch HSB	MODEL 124-Wire Mesh
Drive	1/2 H.P. 230/460/3/60	1/2 H.P. 230/460/3/60	1/2 H.P. 230/460/3/60
Belt Speed	Per Application: 5-50 F.P.M Typical	Per Application: 5-50 F.P.M Typical	Per Application: 5-30 F.P.M. Typical
Frame	7" deep formed 10 ga.	8-5/8" deep formed 10 ga.	Formed 10 ga.
Belt	2-1/2 pitch low profile or radial sidewing	2 1/2" pitch 1-1/2" standard stamped sidewing	1/2" x 1" Wire Mesh, Balance Weave
Belt Width	4" to 42"	4" to 42"	4" to 48"
Supports	Structural steel	Structural steel	Structural steel
Curves	30°, 45°, 60°	30°, 45°, 60°	

OPTIONS

Drive location, H.P., fixed and variable speed, tanks, chutes, plumbing, top covers, chip suppressors, casters, liquid tight bottom pans, special paint, Belt: belt widths, pimped, perforated, welded barrels, impact plates, wiper cleats, cleat heights, sidebars on narrower belts

H.P., drive location, speed, fixed or variable speed, controls, belt widths, deck wear strip options, cooling fans, center drive & take-up, galvanized, stainless, siderails, supports, transfer roller, bolt-on bottom pans, e-stop with pullcord, casters, special paint

Many other options available, consult factory representative

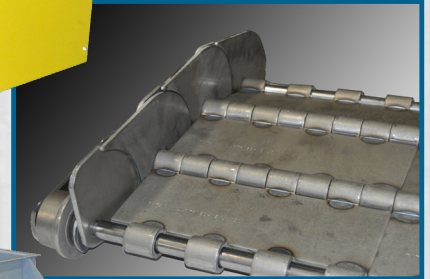
Model 640

- 4" pitch belt
- Exclusive radial sidewings
- 4500 lb. chain pull
- 2" dia. bushed flanged rollers
- 10 ga. formed frame
- 10 ga. belt



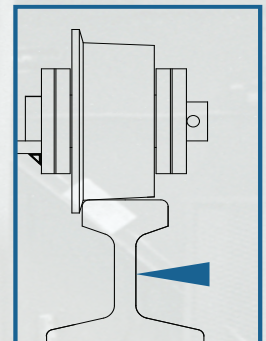
Model 660

- 6" pitch belt
- Exclusive radial sidewings
- 8,900 lb. pull capacity
- 3" dia., bushed, flanged rollers
- 7 ga. formed frame
- 1/4" belt



Slat Conveyor

- 7 ga. formed frame
- 4" or 6" pitch
- many options available



H.D. 25# rail track reduces wear factors and improves conveyor integrity

STANDARD SPECIFICATIONS

	Model 640 - 4" pitch HSB	Model 660 - 6" pitch HSB	Model 696 - Slat Conveyor
Drive	1/2 H.P. 230/460/3/60	3/4 H.P. 230/460/3/60	H.P. to suit application
Speed	Per Application: 5-50 F.P.M Typical	Per Application: 5-50 F.P.M Typical	30 f.p.m.
Frame	15" deep formed 10 ga.	21" deep formed 7 ga.	Formed 7 ga.
Belt	4" pitch, 10 ga. apron	6" pitch x 1/4" apron	Formed 7 ga, HD steel plate
Belt Width	6" to 60"	12" to 72"	12" to 72"
Supports	Structural Channel	Structural Channel	Structural Channel
Curves	30°, 45°, 60°	30°, 45°, 60°	
OPTIONS			
	Drive location, H.P., fixed and variable speed, impact rails on infeed frame, T-slot bearings, customized siderails, infeed hoppers, casters, liquid tight bottom pans, coolant tanks, plumbing. Belt: belt widths, pimped, perforated, welded barrels, impact plates, wiper cleats, cleat heights		Drive location, H.P., speed, fixtures mounted on slats, Belt - 4" pitch (SR194), work leaves, push offs, fixtures mounted on slats, special paint
	Consult factory for special applications and construction of belt.		

Titan makes Hinged Steel Belt replacements for any manufacturer. Call factory for details, save money and time.

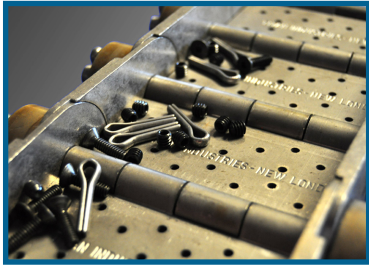
Radial Sidewings - a TITAN Exclusive

Close the Gap

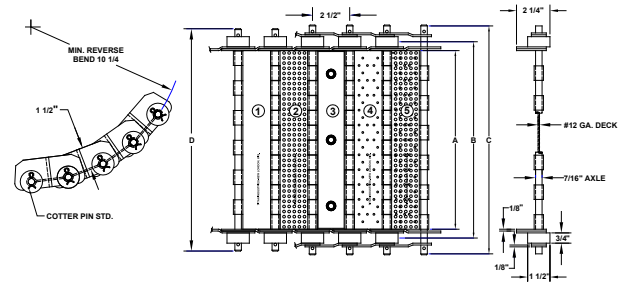
With exclusive Titan radial sidewings, the opening between sidewings and apron is greatly reduced. Tight tolerance is maintained regardless of direction of belt flex. Aprons are available in plain, perforated or pimpled styles. All belts delivered from stock components. Detail drawings on request.



2 1/2" Pitch Belts



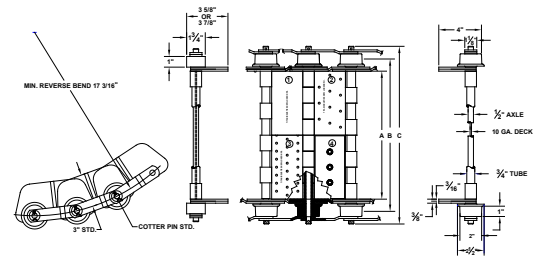
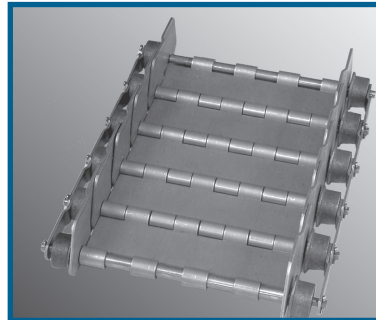
Titan hinged steel belt was developed to handle stampings, metal scrap, paper scrap, chips, turnings, castings and parts, plus numerous other materials. The standard 2 1/2" pitch belt is interchangeable with other conveyor or belt manufacturers. All parts on standard belts are available from stock. Standard profile and low profile sidewings are available. Belt widths from 4" to 48" in increments of 2".



**Chain Pull: 1200#
2500# (with side bar)**

4" Pitch Belts

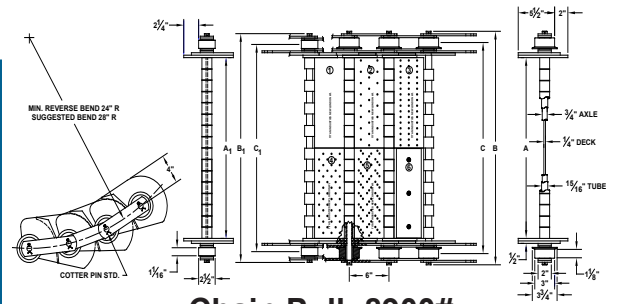
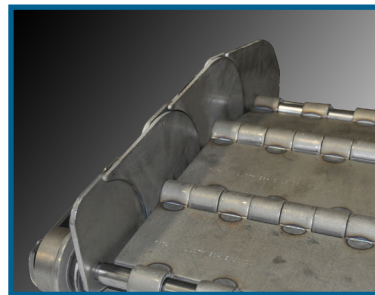
The Titan 4" pitch hinged steel belt contains the 2" diameter flanged roller as a standard feature - without additional cost. The flanged rollers aid belt tracking. When Titan belts are used to replace those of other manufacturers, Titan can supply those belts with regular flat face rollers if needed. If extra impact absorption is needed for rough loading conditions, Titan will add reinforcement bars to the 10 gauge apron.



Chain Pull: 4500#
**Belt Styles: 1-Plain, 2-Perforated, 3-Double Perforated
4-Impact Bar**

6" Pitch Belts

A genuine heavy-duty belt equal to the demands of sophisticated, automatic scrap handling systems, Belts feature full 1/4" thick apron and sidewings, a 15/16" tube with a 3/4" through pin, and die formed hinges which eliminate the usual weld bead. Belts also have 3" diameter single flange cast iron rollers with hardened bushings. Titan will also supply them with flat face roller. Titan 6" pitch belts are available in dimpled, plain or perforated styles.



Chain Pull: 8900#
**Belt Styles: 1-Plain, 2-Perforated, 3-Double Perforated
4-Dimpled, 5-Pimpled & Perforated, 6- Impact Bar**

AUTHORIZED DISTRIBUTOR